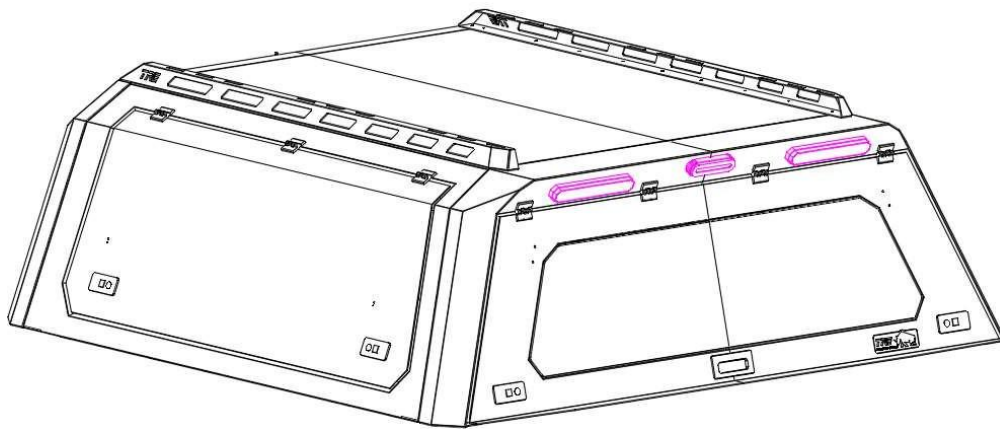




TRE HIGH COVER

INSTALLATION MANUAL



Read the instructions carefully to avoid damage to parts or vehicles

PRODUCT OVERVIEW

Let me begin by thanking you for purchasing one of our products. We strive for top quality components and excellent customer service. If you have any issues during installation, don't hesitate to contact us via email at tech@tre4x4.com and we will do everything we can to make sure any issues with our product are resolved!

SAFETY INSTRUCTIONS

For vehicles equipped with airbags;

When installed in accordance with these instructions, the front impact bar will not affect the operation of the SRS airbags.

Please also note the following:

This product must be installed in exact accordance with these instructions using only the hardware provided.

If any impact bar component is damaged, contact your nearest authorized TRE shop.

Do not attempt to repair or modify the impact absorbing system.

Do not use this product on any vehicle make or model other than that specified by TRE.

Do not remove the label from this impact bar.

This product or its mountings must not be modified in any way.

Installation of this product may require the use of specialized tools and/or techniques

It is recommended that this product be installed by trained personnel only

These instructions are correct as of the date of publication.

Responsible for the effects of any subsequent changes made by the vehicle manufacturer

During installation, it is the installer's responsibility to check all components for proper operation/clearance

Always work safely and tighten fasteners to the specified torque unless otherwise instructed

PRODUCER: Made in china

The tools you need



Engage wrench -10 mm



Wrench 6 mm - 10 mm

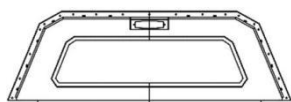


Electric wrench 6 mm

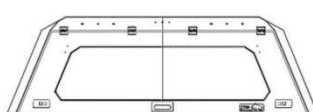


Scissors or wallpaper knives

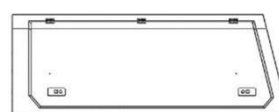
List of accessories



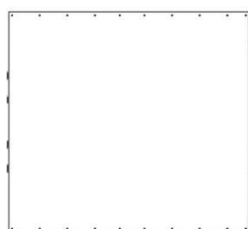
1x front panel



1x rear panel



2x side panel



1x top cover



34XM6X20



2x Roof bracket

Assemble the hardware



34X GASKET



34X m6 shrapnel pad



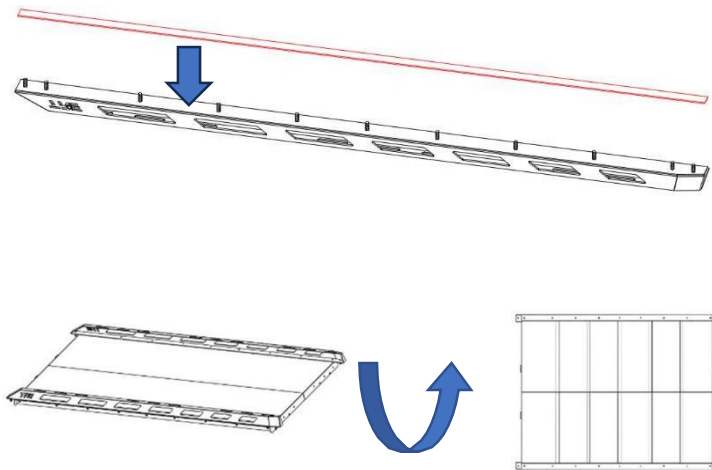
54X M6



Glue strips

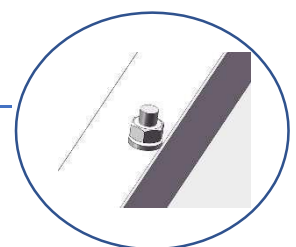
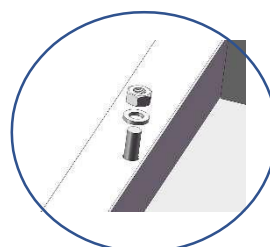
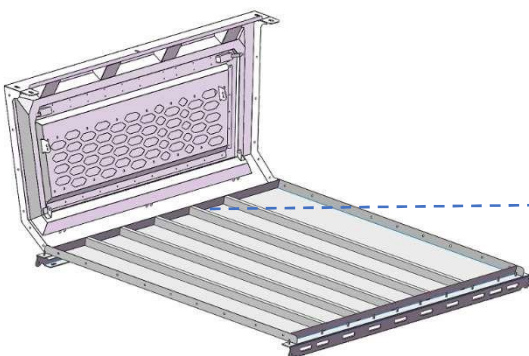
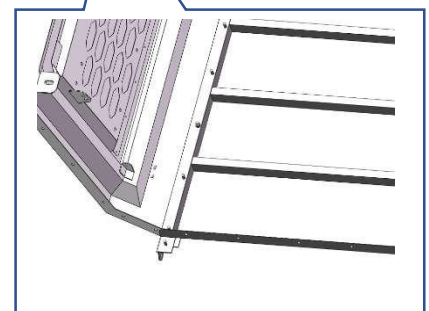
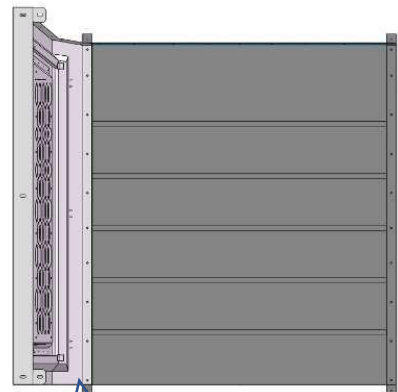
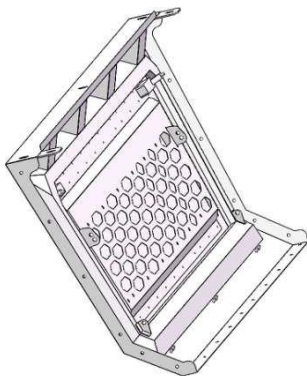


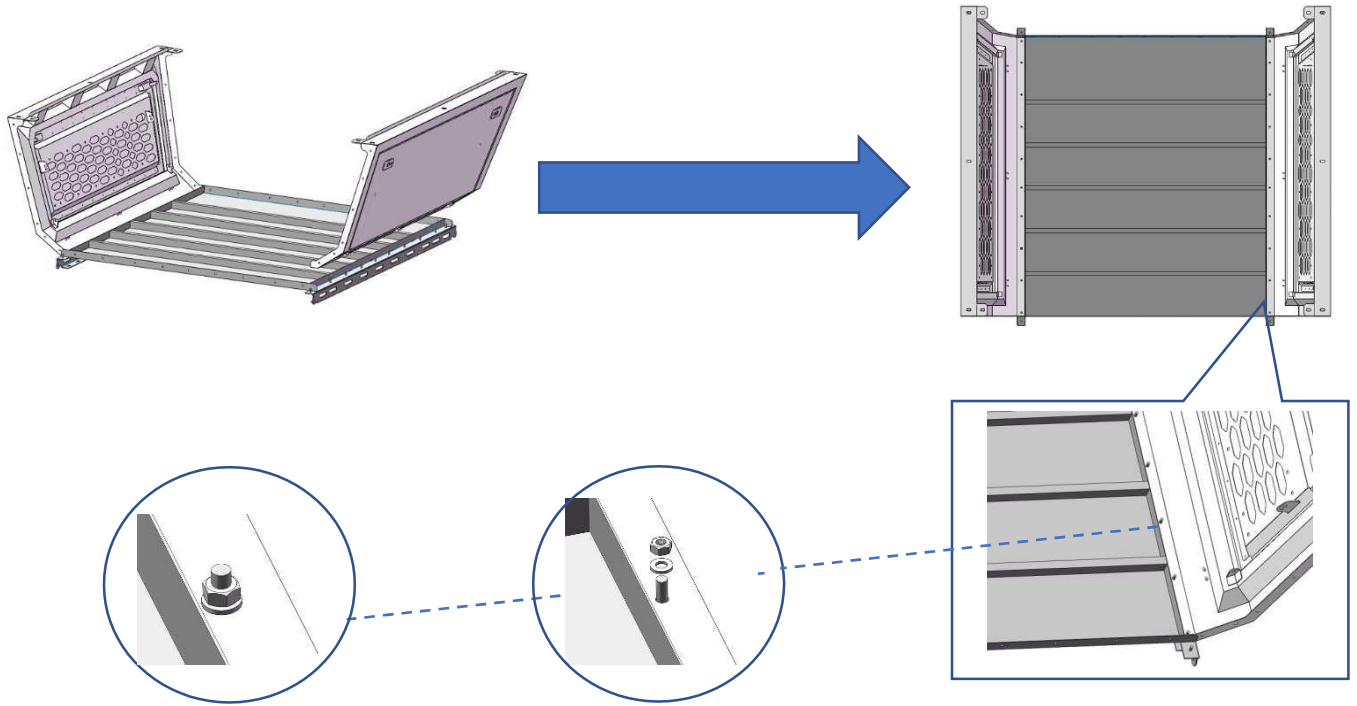
Sealing glue



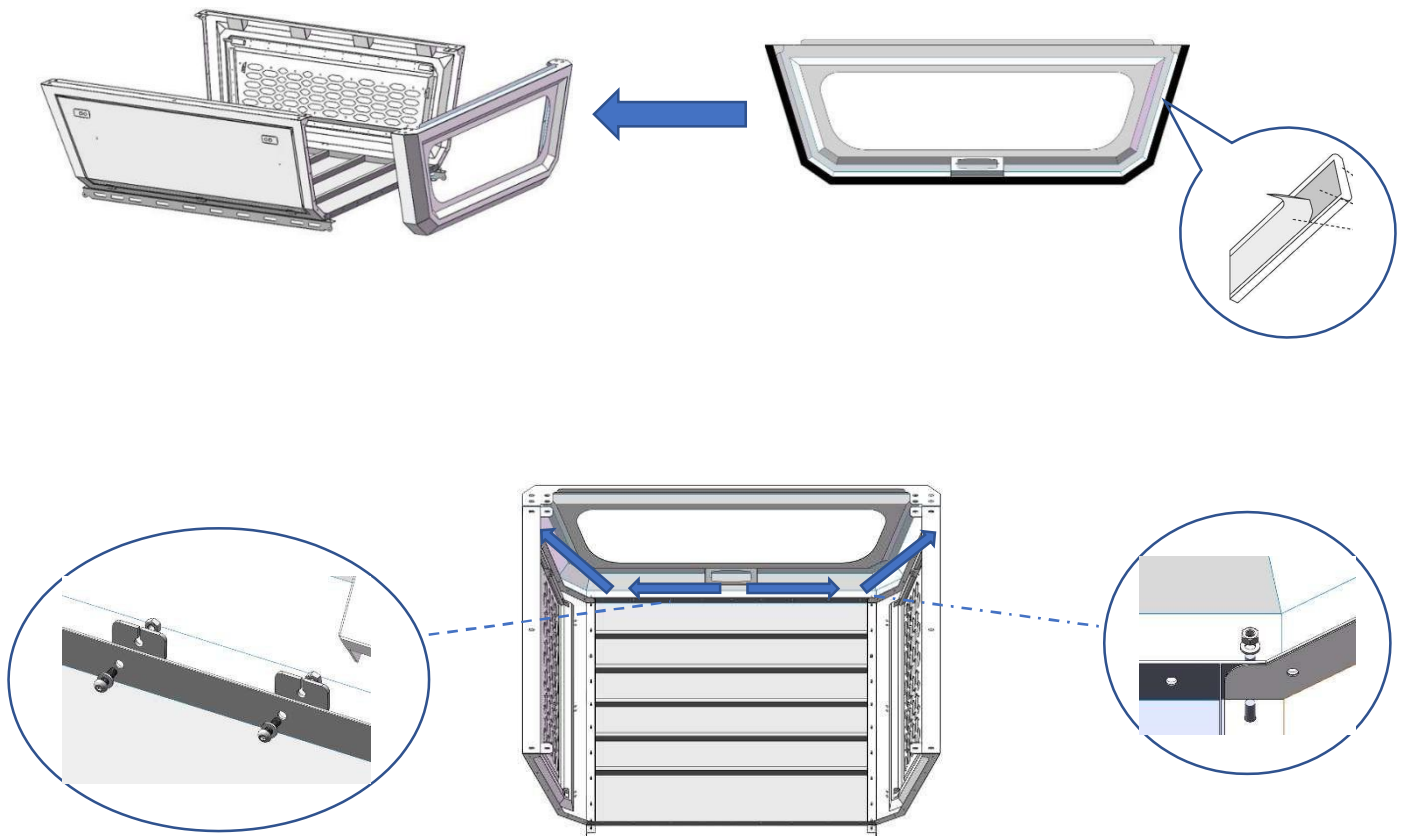
1. First stick the adhesive strip to the back of the roof platform
2. Then connect to the top cover (note the position of the mounting hole).
3. Flip the next installation after the connection is complete

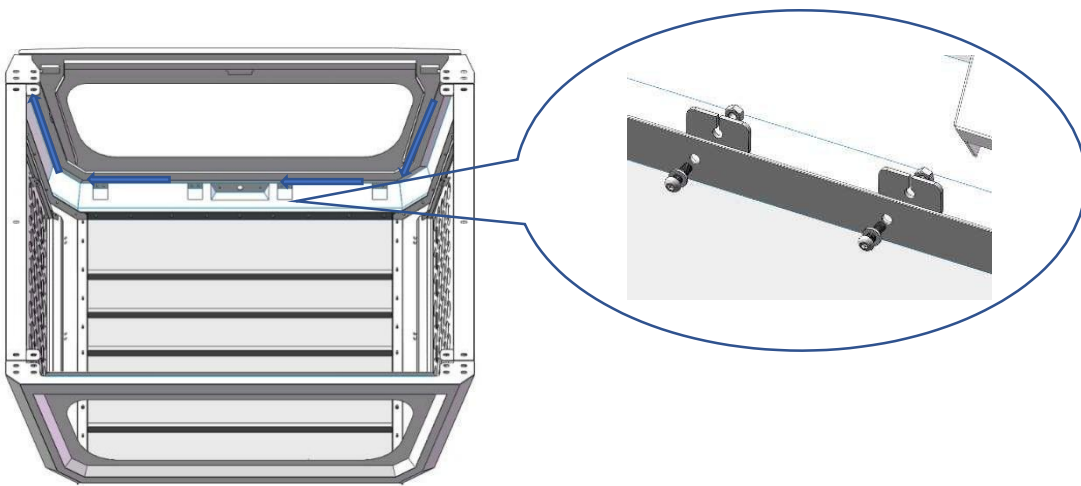
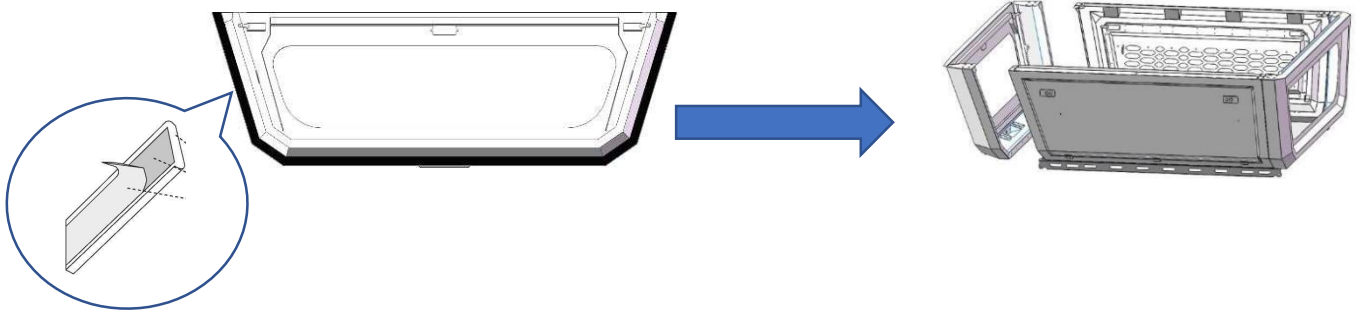
Install the left and right side doors



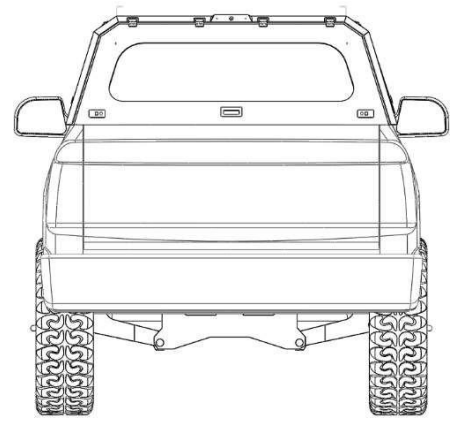
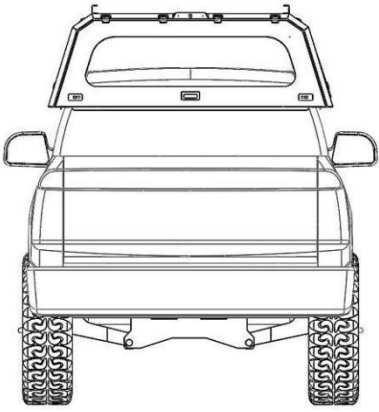


Front and back door installation



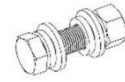


Stick along the outer edge for a round to prevent water leakage



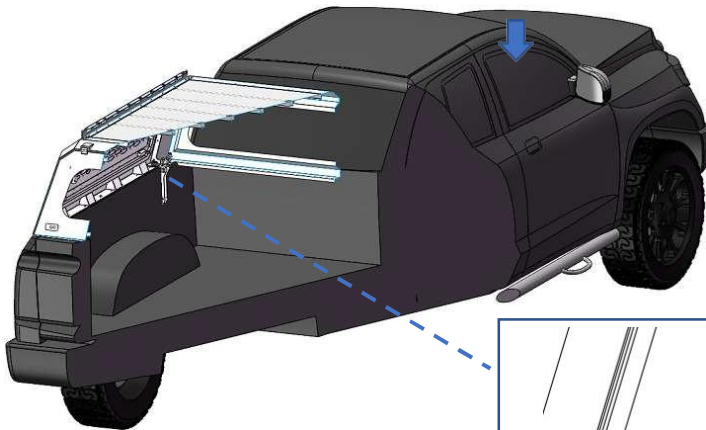
After assembly, use an applicator to apply sealant to the gaps

Bracket accessories

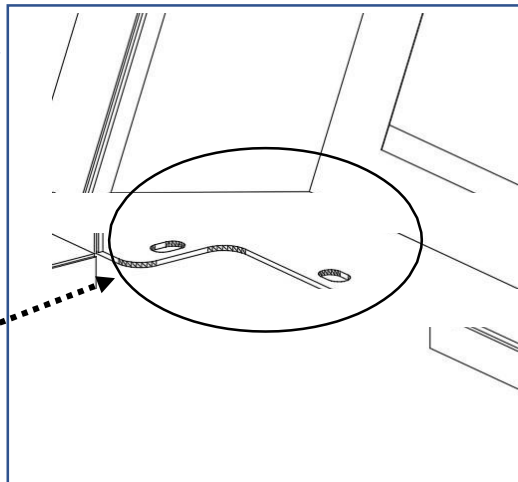


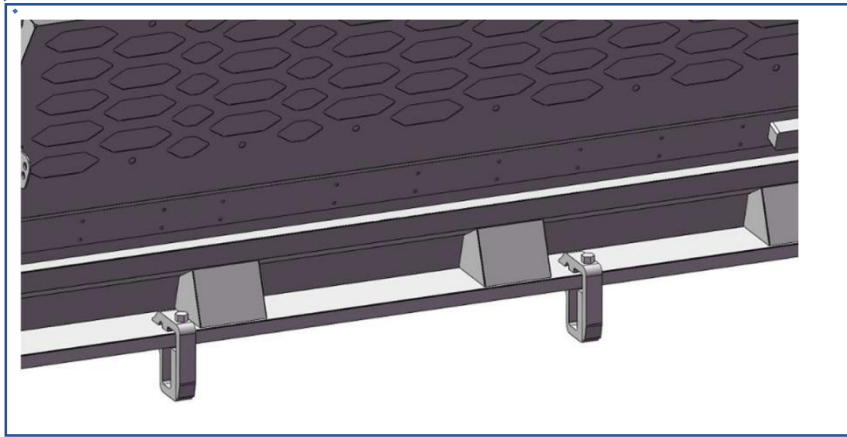
M8x20

Brackets on both sides

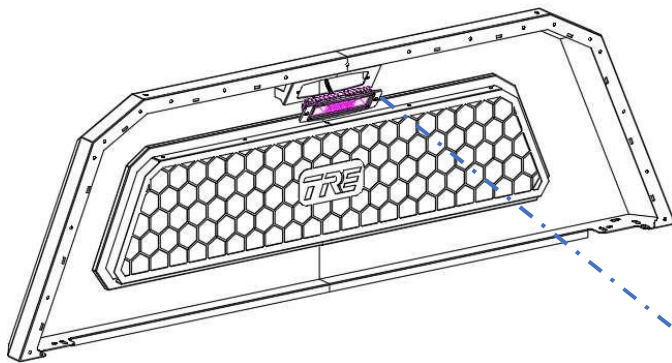


M8x2



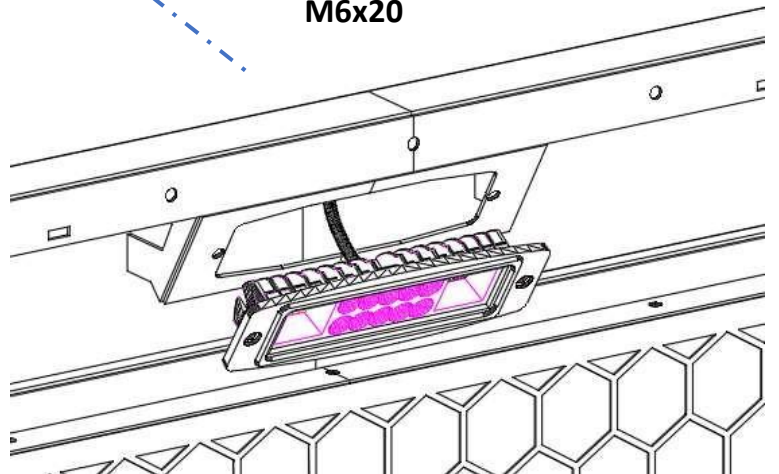


Front and rear door lights installed

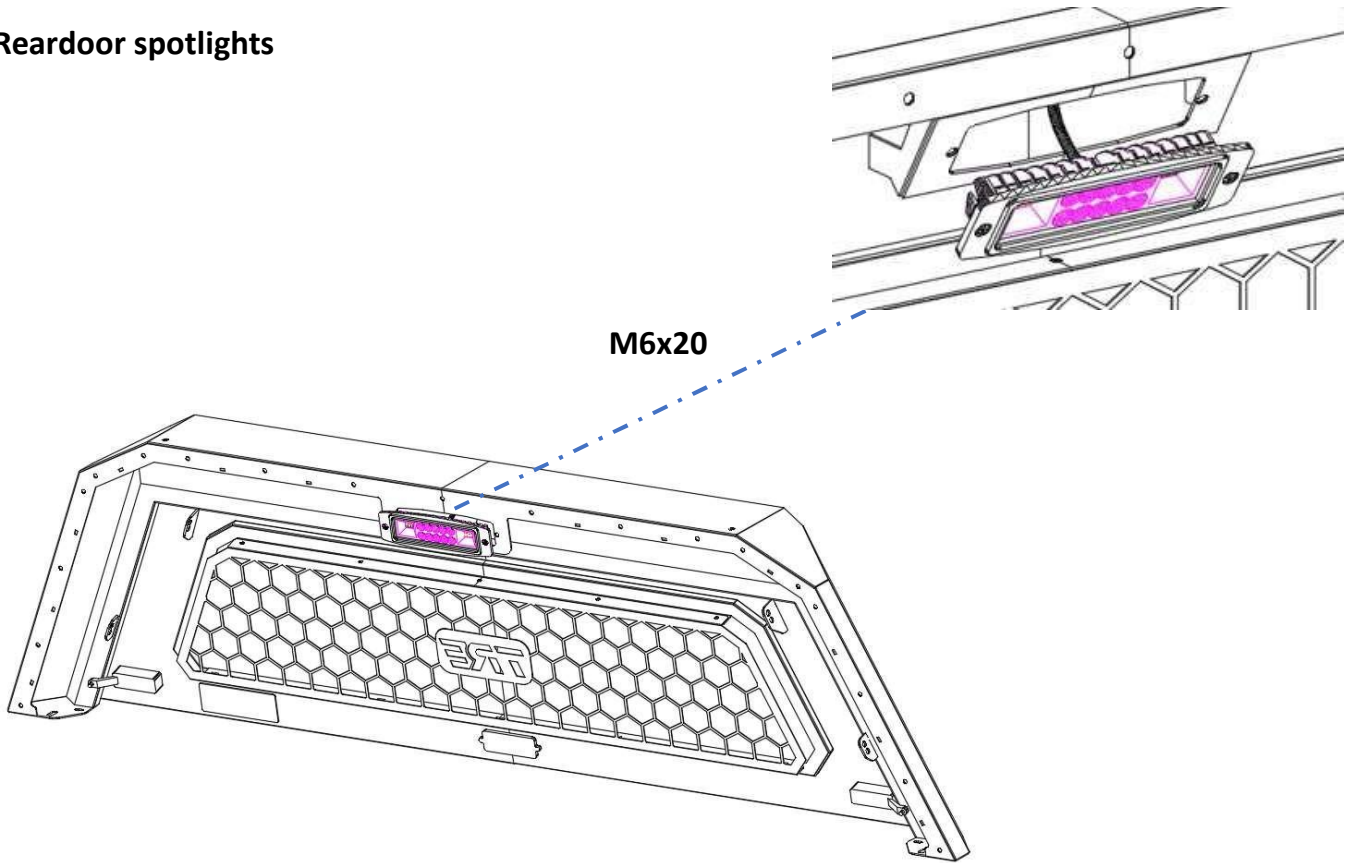


**Front
door spotlights**

M6x20



Reardoor spotlights



Reardoor taillights

