



# **FRONT BUMPER**

**MITSUBISHI TRITON (06-14) FLAT**

**INSTALLATION  
MANUAL**

# PRODUCT OVERVIEW

Let me begin by thanking you for purchasing one of our products. We strive for top quality components and excellent customer service. If you have any issues during installation, don't hesitate to contact us via email at [tech@tre4x4.com](mailto:tech@tre4x4.com) and we will do everything we can to make sure any issues with our product are resolved!

# SAFETY INSTRUCTIONS

For vehicles equipped with airbags;

When installed in accordance with these instructions, the front impact bar will not affect the operation of the SRS airbags.

Please also note the following:

This product must be installed in exact accordance with these instructions using only the hardware provided.

If any impact bar component is damaged, contact your nearest authorized TRE shop.

Do not attempt to repair or modify the impact absorbing system.

Do not use this product on any vehicle make or model other than that specified by TRE.

Do not remove the label from this impact bar.

This product or its mountings must not be modified in any way.

Installation of this product may require the use of specialized tools and/or techniques

It is recommended that this product be installed by trained personnel only

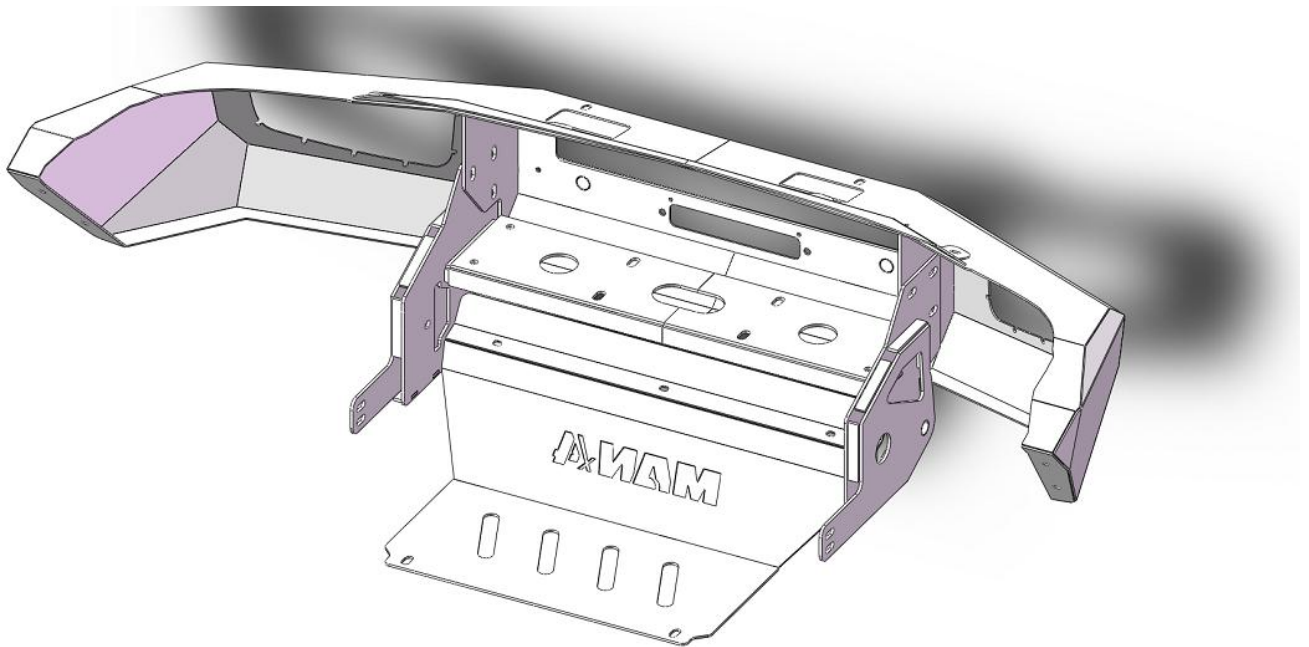
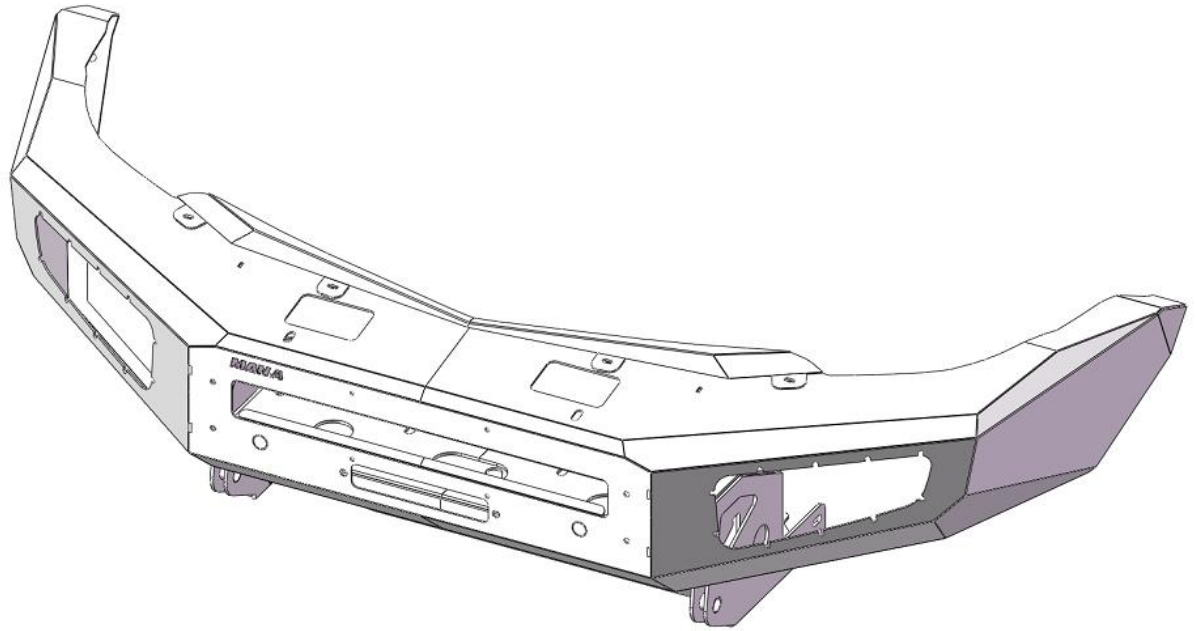
These instructions are correct as of the date of publication.

Responsible for the effects of any subsequent changes made by the vehicle manufacturer

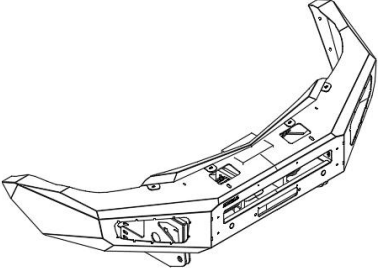
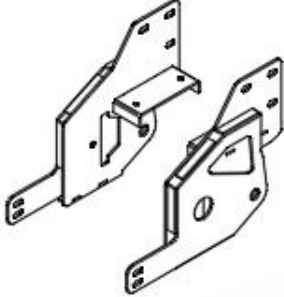
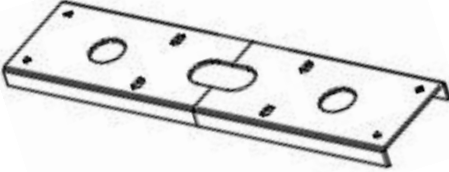

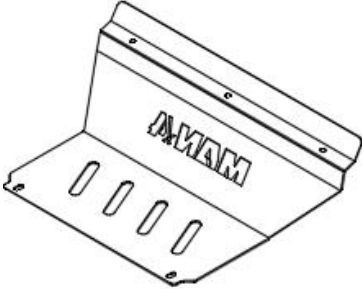
During installation, it is the installer's responsibility to check all components for proper operation/clearance

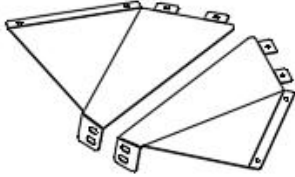
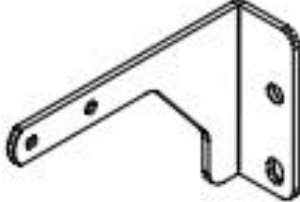


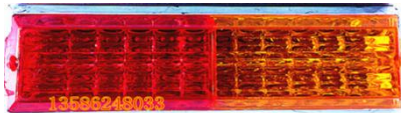
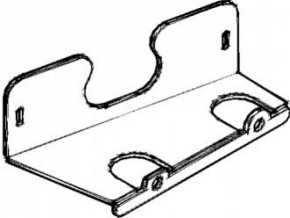
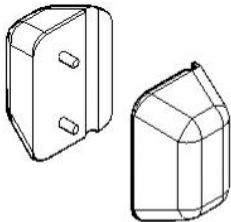
Always work safely and tighten fasteners to the specified torque unless otherwise instructed

PRODUCER: Made in china

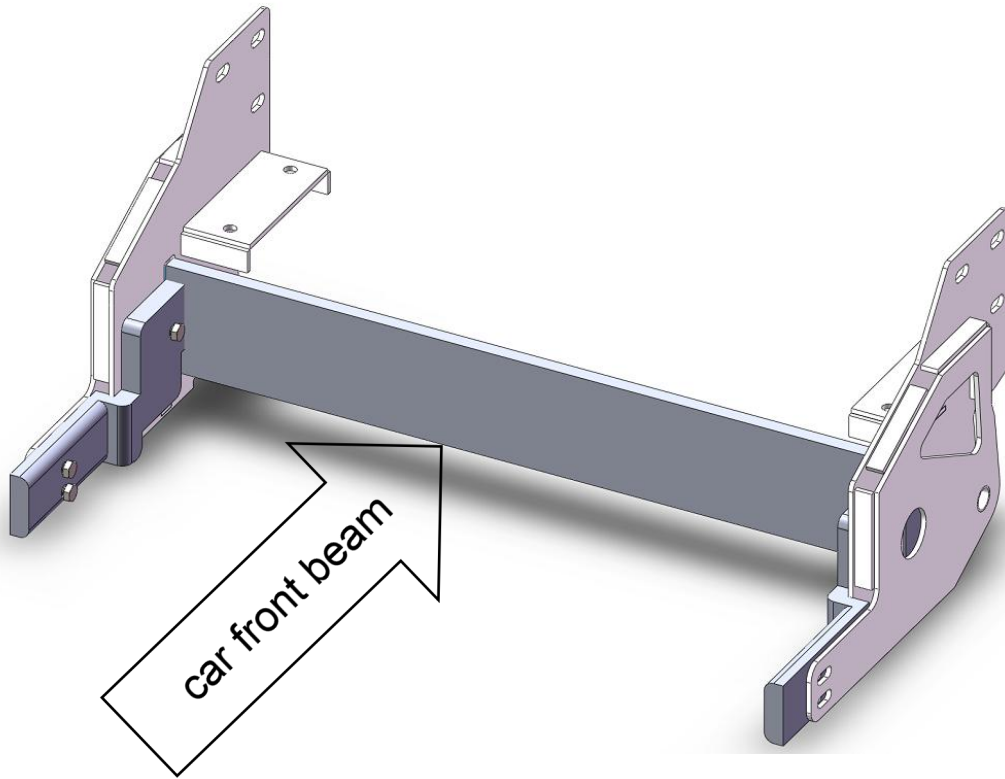


## ACCESSORIES

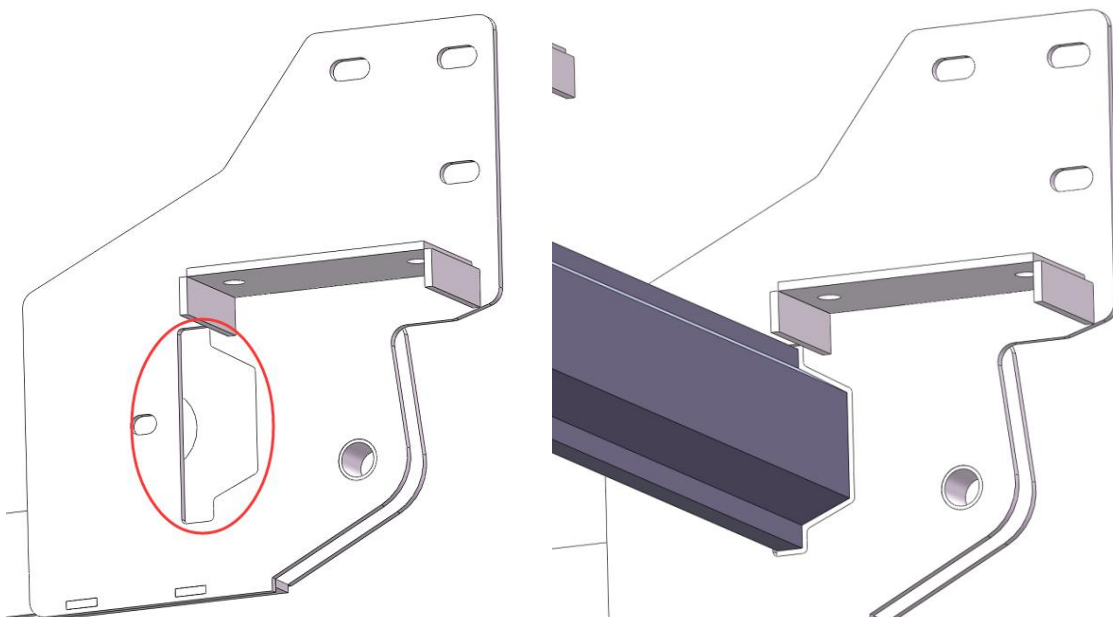
<p>Bodyx1</p>	
<p>Main bracket - 1pair grade 8.8 M12X35--6sets</p>	
<p>Winch bracket X1 grade 8.8 M12X35--4sets</p>	
<p>Stainless steel middle net X1 mushroom head M6X20--4sets</p>	
<p>Middle panelx1</p>	

<p>Wing guards X1 pair M6X16--8sets</p>	
<p>Water tank bracketX1 M6X16--2sets</p>	
<p>amp housings (left and right symmetrical) X 1pair M6X16 (stainless steel) X 20sets</p>	
<p>Headlights X1set With M6X16 bolts X8 M6 flat pads x8 M6 spring pads x8</p>	
<p>Bi-color LED light X1set</p>	
<p>LED light stand (left and right symmetry) X1set</p>	
<p>Anti-collision rubber blocks X1pair M8 flange nutsX4</p>	

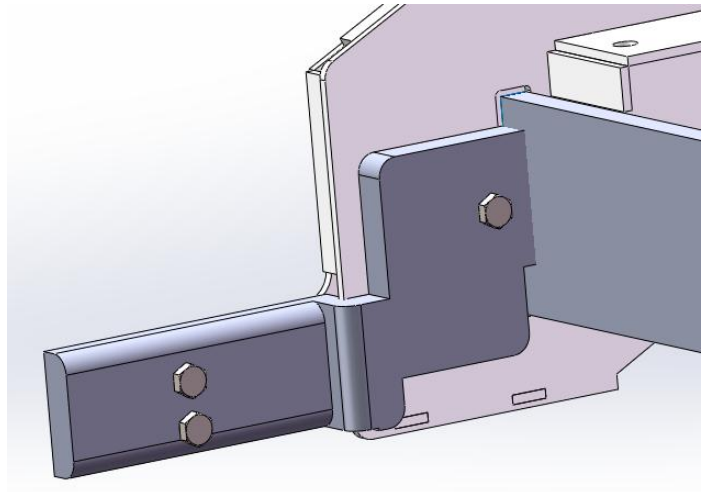
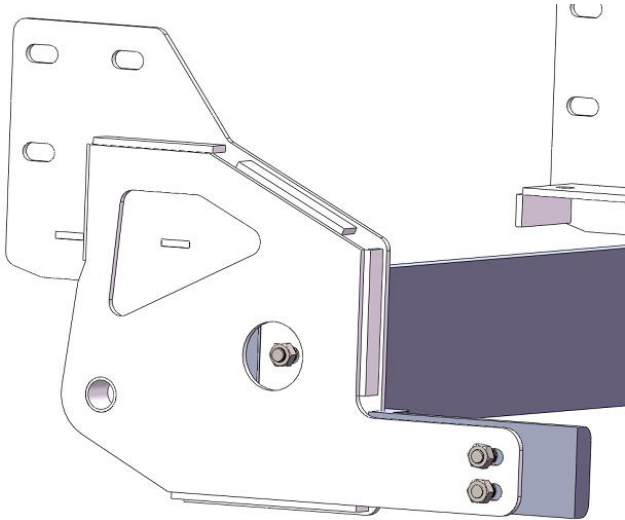
## INSTALL THE MAIN BRACKET FIRS



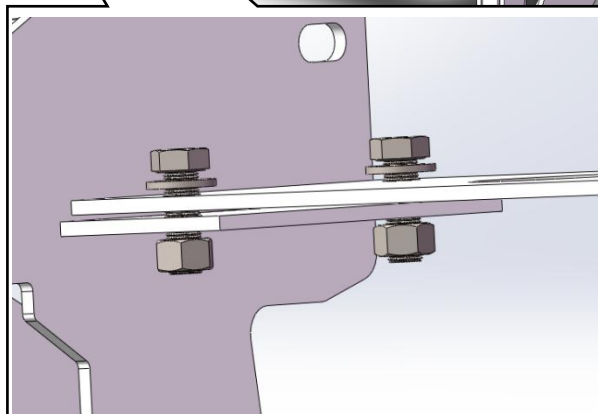
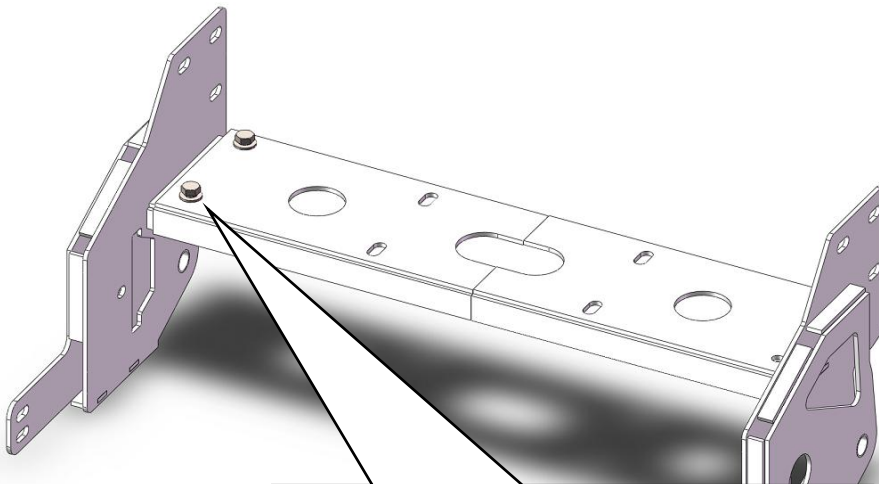
Car front beam alignment notch



Use M10x30 screws to connect

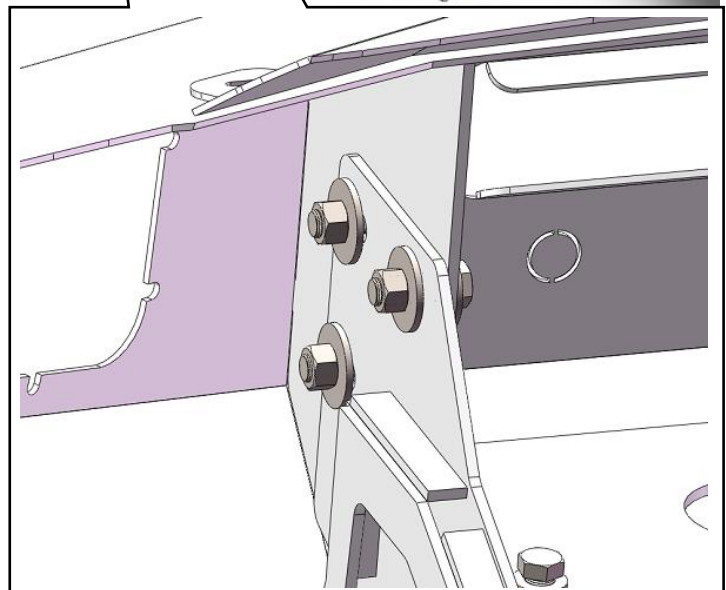
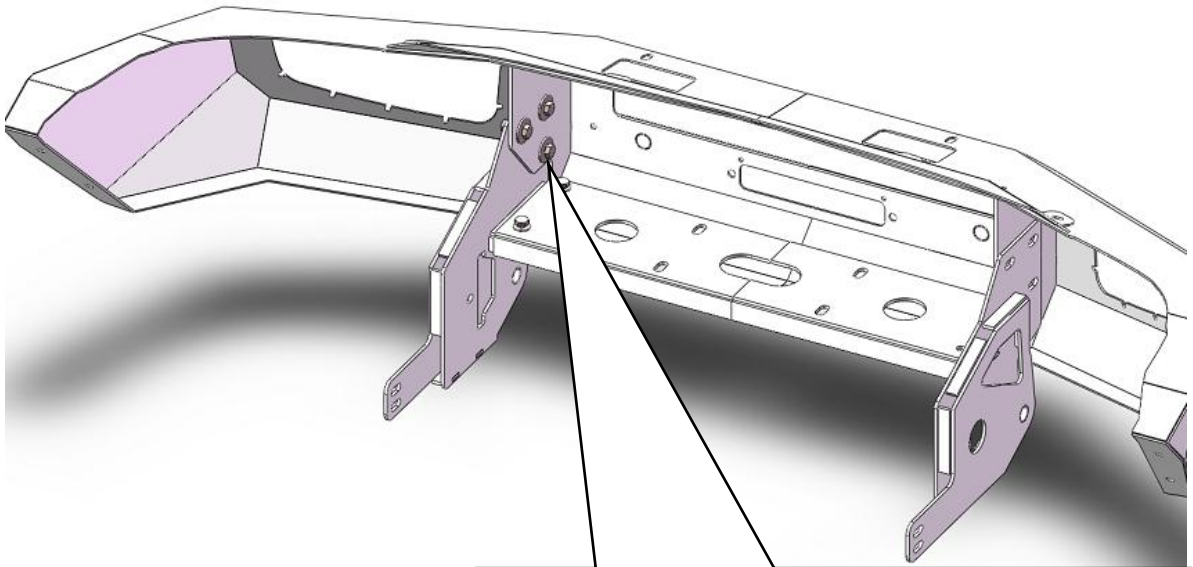


Connect the main bracket with the winch bracket



Use M10x30 screws to connect  
M10x30

Connect the bracket with the body M10x30



Use M12x35 screws to connect  
M10x30





[WWW.TRE4X4.COM](http://WWW.TRE4X4.COM)