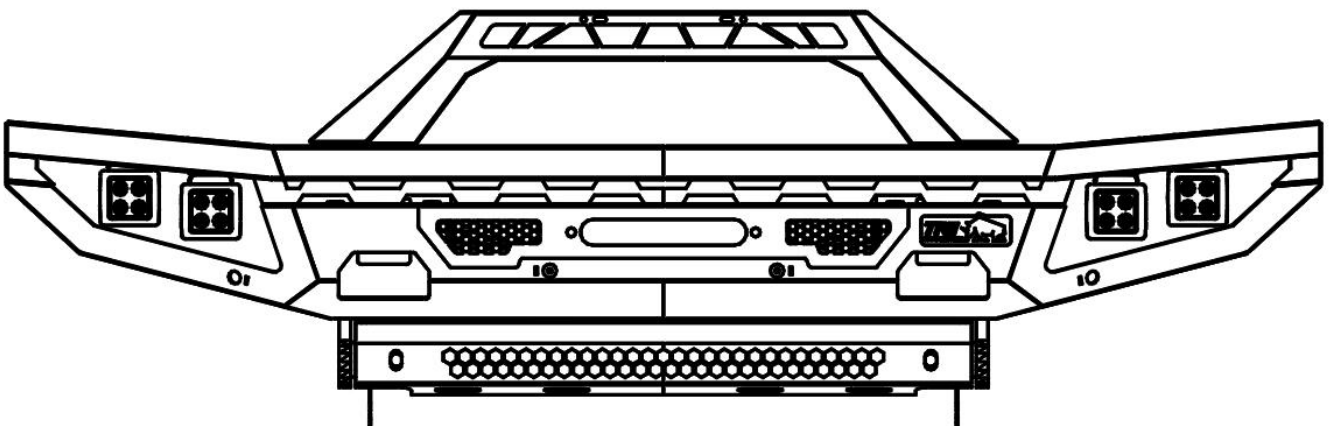




# JEEP GLADIATOR

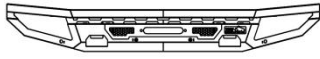
## FRONT BUMPER



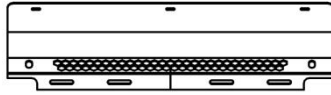
**Read the installation instructions carefully to avoid damaging the vehicle or the TRE4x4 bumper !!!**

(Please check the accessories are complete)

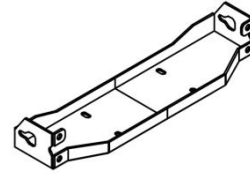
bull bars and accessories



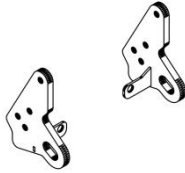
**1X bull Bar**



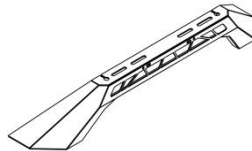
**1X skid plate**



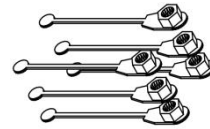
**1X Winch bracket**



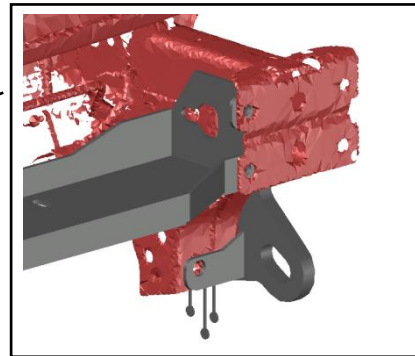
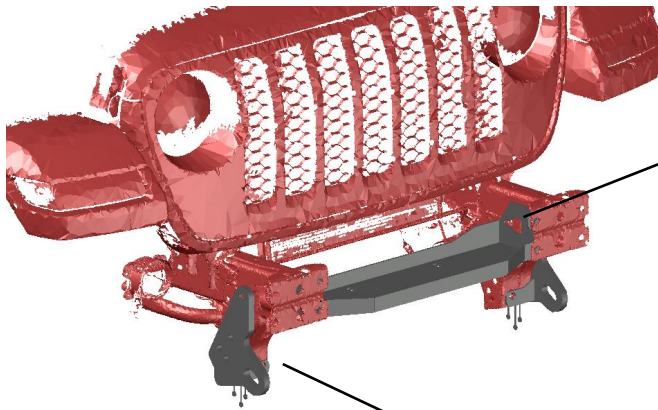
**2X small bracket**



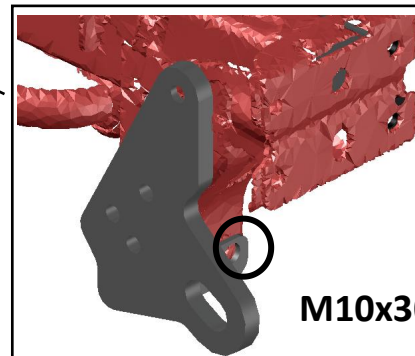
**1X Headlight bracket**



**6X Nut plate**



The nut plate is passed from below and is connected with a tow hook



**M10x30**

